

PRODUCT CHANGE NOTIFICATION

产品变更通知

Module Series Affected (涉及组件序列)

YLxxxD-30b; YLxxxD-30b 1500V; YLxxxD-36b ; YLxxxD-36b 1500V; YLxxxD-30b 1/2 ; YLxxxD-30b 1500V 1/2; YLxxxD-36b 1/2 ; YLxxxD-36b 1500V 1/2; YLxxxP-29b ; YLxxxP-29b 1500V; YLxxxP-35b ; YLxxxP-35b 1500V; YLxxxP-29b 1/2; YLxxxP-29b 1500V 1/2; YLxxxP-35b 1/2 ; YLxxxP-35b 1500V 1/2

(xxx= P_{max})

April 7th, 2020 // CP-OM-D-011

Introduction (介绍)

Yingli Green Energy Holding Company Limited, known as “Yingli Solar” , is one of the world’ s leading solar module manufacturers. Yingli Solar is to upgrade its electric parameters of YLM series modules in accordance with the newest data of mass production. The Max. series fuse rating of YLM and YGE series modules will adjusted to 20A, according to IEC 60269-6 and UL 2579 requirements. The frame design of 72 & 144 cells modules will also be optimized to meet the requirements of mechanical load.

英利绿色能源控股有限公司（以下简称“英利”）是全球领先的光伏发电产品制造商之一。现对产品变更作以下说明：英利根据最新量产数据，对 YLM 系列组件进行了电气参数更新。根据 IEC 60269-6 和 UL 2579 的标准要求，YLM 和 YGE 全系产品的最大保险丝额定值修正为 20A，同时在保持机械载荷水平的前提下，优化了采用 72 片电池和 144 片电池设计组件的边框结构。

Descriptions (具体变更内容)

P-type monocrystalline modules, as shown in the attachment sheets, will all use new electric parameters. Please refer to the data sheets for the power range and electrical characteristics of those modules.



此次更新所涉及的单晶组件名录已经列在变更通知附件里，他们将全部使用修正后的电气参数。请参考新版规格书以获得具体电参数信息。

The YGE&YLM 72&144 cells modules, which uses new frames, has been shown in Figure 1. The frame thickness will be changed so that those modules will have the MAX static load reach 5400 pa in the front side and 2400 pa in the back side.

YLM 和 YGE 的 72/144 片系列组件，如图 1 所示，边框厚度发生了变化，这些组件经过测试，可以保证 5400Pa 的正面最大静态载荷和 2400Pa 的背面最大静态载荷。

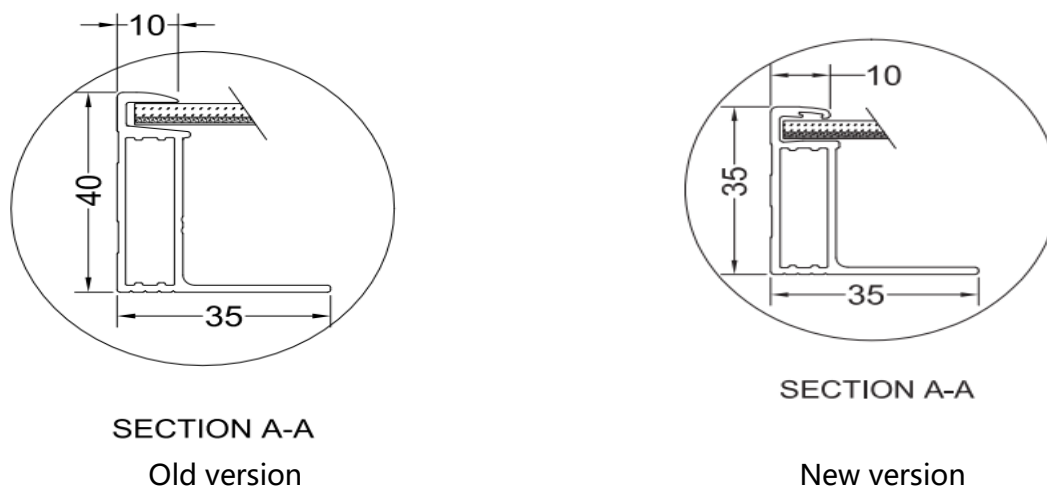


Figure 1. SECTION A-A@72/144 Module unit: mm

图 1 A-A 截面图@72/144 版型组件 单位: mm

Implementation (具体变更时间)

Yingli Solar has scheduled to implement the aforementioned changes from 25st April, 2020.

The new version data sheets will be put into use from 15st April, 2020. Considering that some projects may need the old version data sheets for several months in some markets, the old data sheets could be used until the 30st May, 2020.

For any technical questions, please contact: service@Yinglisolar.com. For all other inquiries, please contact your Yingli Solar sales account manager.

英利计划从 2020 年 4 月 25 日起实施上述变更，新版规格书从 2020 年 4 月 15 日起投入使用，旧版规格书可以继续使用到 2020 年 5 月 30 日。

Yingli Green Energy Holding Co., Ltd.

英利绿色能源控股有限公司

3399 North Chaoyang Avenue

Baoding 071051, China

中国保定国家高新区朝阳北大街 3399 号 (071051)



更多关于新组件产品的技术问题，请联系：service@yingli.com。如果您有其他问题，请联系您的英利销售客户经理。

Attachment (附件)

Crystal Type / Cell 晶体类型 / 电池数量	Module Type 组件型号	Expiry Version in June 将于6月到期的文件版本号	Valid Version from 1 st , May 5月1日开始生效的文件版本号
P-type monocrystalline module (Single-glass) P型单晶组件 (单玻)	YLxxxD-30b YLxxxD-30b 1500V	DS_YLM60CELL - 30b_35mm_CN_CN_20200220_V04 DS_YLM60CELL - 30b_35mm_EU_EN_20200220_V04	DS_YLM60CELL - 30b_35mm_CN_CN_20200323_V04 DS_YLM60CELL - 30b_35mm_EU_EN_20200323_V04
	YLxxxD-36b YLxxxD-36b 1500V	DS_YLM72CELL - 36b_40mm_CN_CN_20200220_V04 DS_YLM72CELL - 36b_40mm_EN_EN_20200220_V04	DS_YLM72CELL - 36b_40mm_CN_CN_20200323_V04 DS_YLM72CELL - 36b_40mm_EN_EN_20200323_V04
	YLxxxD-30b 1/2 YLxxxD-30b 1500V 1/2	DS_YLM120CELL - 30b_35mm_CN_CN_20200220_V04 DS_YLM120CELL - 30b_35mm_EU_EN_20200220_V04	DS_YLM120CELL - 30b_35mm_CN_CN_20200327_V04 DS_YLM120CELL - 30b_35mm_EU_EN_20200327_V04
	YLxxxD-36b 1/2 YLxxxD-36b 1500V 1/2	DS_YLM144CELL - 36b_40mm_CN_CN_20200220_V04 DS_YLM144CELL - 36b_40mm_EU_EN_20200220_V04	DS_YLM144CELL - 36b_35mm_EU_EN_20200327_V04 DS_YLM144CELL - 36b_35mm_CN_CN_20200327_V04
P-type Polycrystalline module (Single-glass) P型多晶组件 (单玻)	YLxxxP-29b YLxxxP-29b 1500V	DS_YGE60CELL SERIES 2 - 29b_35mm_EN_EN_20200220_V04 DS_YGE60CELL SERIES 2 - 29b_35mm_CN_CN_20200220_V04	DS_YGE60CELL SERIES 2 - 29b_35mm_EN_EN_20200327_V04 DS_YGE60CELL SERIES 2 - 29b_35mm_CN_CN_20200327_V04
	YLxxxP-35b YLxxxP-35b 1500V	DS_YGE72CELL SERIES 2 - 35b_40mm_EN_EN_20200220_V04 DS_YGE72CELL SERIES 2 - 35b_40mm_CN_CN_20200220_V04	DS_YGE72CELL SERIES 2 - 35b_35mm_EN_EN_20200327_V04 DS_YGE72CELL SERIES 2 - 35b_40mm_CN_CN_20200327_V04
	YLxxxP-29b 1/2 YLxxxP-29b 1500V 1/2	/	DS_YGE120CELL- 29b_35mm_CN_CN_20200327_V04 DS_YGE120CELL- 29b_35mm_EN_EN_20200327_V04
	YLxxxP-35b 1/2 YLxxxP-35b 1500V 1/2	/	DS_YGE144CELL- 35b_35mm_CN_CN_20200327_V04 DS_YGE144CELL- 35b_35mm_EN_EN_20200327_V04